

Kidde Fire Systems

ECS-500™ Component Description



Effective: April 2023
K-45-0516 Rev AD

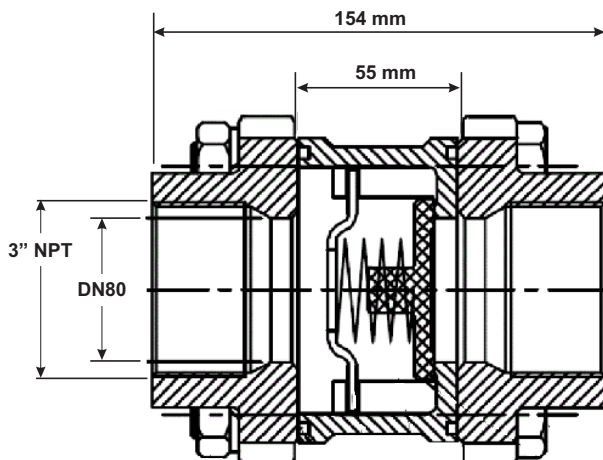
3" Straight Check Valve

FEATURES

- For Approvals, see the "COMPATIBILITY" table.

P/N: 85-679330-001

Straight checks are installed at the discharge manifold in a multiple cylinder arrangement to allow removal of any Kidde Fire Systems ECS-500™ System cylinder from the manifold while still retaining a closed system.



Part Number	Size	Equivalent Length	Overall Height	Overall Width	Bolt Nut Torque
85-679330-001	3 in	110.24 ft. (33.6 m)	6 in (154 mm)	4.7 in (120 mm)	450 in-lbs

The valve must be installed with the arrow pointing in the direction of flow.

MATERIALS

- Valve Body, Internals, Bolts: Stainless Steel
- Disc: Stainless Steel with Teflon® Halar Coating
- Body Seals: PTFE

COMPATIBILITY

Series	DIOM P/N	Approvals
Kidde Fire Systems ECS-500™ System	06-237585-001	UL, ULC, FM
Kidde Fire Systems ECS-500™ Marine System	06-237589-001	UL, ULC, USCG

EXPORT INFORMATION (USA)

Jurisdiction: EAR
Classification: EAR99
This document contains technical data subject to the EAR.
All trademarks are the property of their respective owners.
©2023 Carrier

This literature is provided for informational purposes only. KIDDE-FENWAL, INC. believes this data to be accurate, but it is published and presented without any guarantee or warranty whatsoever. KIDDE-FENWAL, INC. assumes no responsibility for the product's suitability for a particular application. The fire suppression system design, installation, maintenance, service and troubleshooting must be performed by trained, authorized Kidde Fire Systems distributors for the product to work correctly. If you need more information on this product, or if you have a particular problem or question, contact KIDDE-FENWAL, INC., Ashland, MA 01721 USA. Telephone: (508) 881-2000.

Kidde Fire Systems
400 Main Street
Ashland, MA 01721
Ph: 508.881.2000
Fax: 508.881.8920
kiddefiresystems.com